

## Standard Full Nut

**Thread Type:** BA

**Thread Direction:** Right Hand

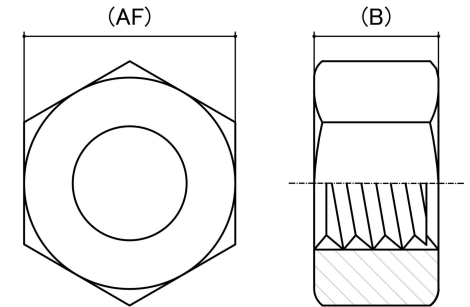
**Material:** Carbon Steel

**Class Grade:** Low Tensile Grade 2

**Finish:** Zinc Plated

**Corrosion Protection Level:** Moderate

**Standard:** BS 57



*CAD drawings shown for graphic representation only.\**

Size	Thread Pitch (mm)	Thread Type	Overall Nut Height (B) (mm)		Across Flats (AF) (mm)		Spanner Size (AF) (inches)	sku (qfind)
			Min	Max	Min	Max		
6BA	0.53	BA	2.41	2.67	4.80	4.90	3/16	416BA
4BA	0.66	BA	3.18	3.43	6.12	6.37	1/4	414BA
2BA	0.81	BA	3.94	4.20	8.11	8.23	11/32	412BA

**Disclaimer:**

Dimensional data and technical information was obtained from publically available sources and not acquired through standard agencies. It has been completed and compiled for reference purposes only; where discrepancies are found they are subject to change without notice. Bolt & Nut Australia makes no warranties or representations regarding the accuracy and validity of the compiled information and data. Contact the relevant standard authorities for accurate and detailed information.

\* CAD drawings may not reflect diameter, thread length or overall length.

© Bolt & Nut Australia Pty Ltd. All rights reserved.

Version: 18 Mar 2024